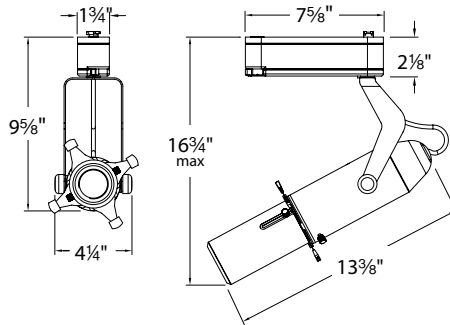


FRAMING PROJECTOR – model: LED009

LEDme® Track Luminaire

WAC LIGHTING

Responsible Lighting®



Fixture Type:

Catalog Number:

Project:

Location:

PRODUCT DESCRIPTION

Using state of the art multi-chip LED technology, the Framing Projector uses two lenses for precise focus adjustment to highlight artwork and wall décor or project images, signs and corporate logos.

FEATURES

- Can be used to project images, signs, and corporate logos
- Meets 2013 California Title 24 Efficiency
- Uses two lenses to allow precise focus adjustment
- Precise beam adjustment from 24 to 40 degrees
- Accepts "D" size Glass and Metal Gobos; consult WAC Lighting for info on purchasing gobos
- 355° horizontal rotation and 90° vertical aiming
- ANSI Compliant Warm/Neutral LED Bins for a finer color consistency
- Accepts 1 lens
- 60,000 hours potential LED life
- 5 year WAC Lighting product warranty

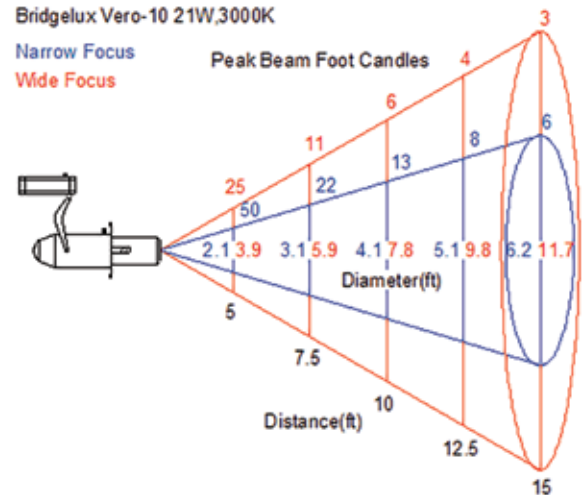
FIXTURE PERFORMANCE

| Model # | Color Temp | Power | Lumens | CRI |
|-------------------|------------|-------|--------|-----|
| LED009-927 | 2700K | 22W | 165 | 90 |
| LED009-27 | 2700K | 22W | 245 | 85 |
| LED009-9W | 3000K | 22W | 195 | 90 |
| LED009-WW | 3000K | 22W | 215 | 85 |
| LED009-35 | 3500K | 22W | 220 | 85 |
| LED009-CW | 4000K | 22W | 290 | 85 |

Bridgelux Vero-10 21W,3000K

Narrow Focus

Wide Focus



SPECIFICATIONS

Construction: Die-cast aluminum track head with polycarbonate driver case and track adapter. Two focusing lenses and metal shims contained in framing snoot.

Finish: Abrasion resistant paint finish. Available in Black (BK) and White (WT).

Driver: Input voltage: 120VAC 50/60Hz
Max Load: 22W

Lamp: Bridgelux LED Vero10.

Standards: ETL & cETL Listed.

ORDER NUMBER

| System | Model # | Color Temp | Finish |
|--------------|---------|---------------------------|------------------------------------|
| L L Track | LED009 | 927 2700K (90 CRI) | BK Black WT White |
| H H Track | | 27 2700K | |
| J J/J2 Track | | 9W 3000K (90 CRI) | |
| | | WW 3000K | |
| | | 35 3500K | |
| | | CW 4000K | |

FINISHES

BK



WT



ACCESSORIES

| | | |
|------------|----------------|-------------------|
| Color Lens | LENS-16 | AMB Amber |
| | | BLU Blue |
| | | GRN Green |
| | | RED Red |
| | | YEL Yellow |

System - Model # - Color - Finish

Example: L-LED009-WW-WT

WAC Lighting

www.waclighting.com

Phone (800) 526.2588 • Fax (800) 526.2585

Headquarters/Eastern Distribution Center

44 Harbor Park Drive • Port Washington, NY 11050

Phone (516) 515.5000 • Fax (516) 515.5050

Western Distribution Center

1750 Archibald Avenue • Ontario, CA 91760

Phone (800) 526.2588 • Fax (800) 526.2585