

Advent LED PICTURE LIGHT

APL

I. UNPACK LIGHT

Rotate Arm so it is perpendicular to shade.

II. INSTALL MOUNTING BRACKETS

Locate center of frame and attach mounting bracket to frame or wall with screws provided or appropriate screws, making sure that the screws are not longer than the frame is thick. For wall mounting, use the screws and anchors provided (drill $\frac{3}{16}$ " hole for anchors)

For Metal Frames, install as follows:

1. Start screw in channel bracket.
2. Insert channel bracket into frame channel. FIG. 1
3. Slide screw in channel bracket into slot in mounting bracket slot.
4. Tighten screw. FIG. 2
5. Install another channel bracket on the other side of the mounting bracket.

III. INSTALL PICTURE LIGHT

1. Loosen the set screw to rotate picture light arm into position and retighten.
2. Height adjustment: arm may be adjusted by loosening the thumb screw, adjusting the arm to the desired height and retightening the thumb screw. FIG. 3 You will most likely want the light tube parallel or below the top of the frame.
3. Light spread adjustment: hold picture light in the center with one hand and rotate the shades with the other hand to adjust light-spread. To avoid discomfort, protect your hand with a glove or a piece of cloth if you rotate the tube while the picture light is turned on.

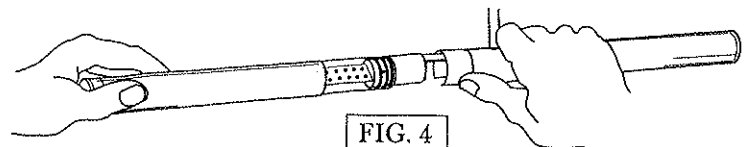
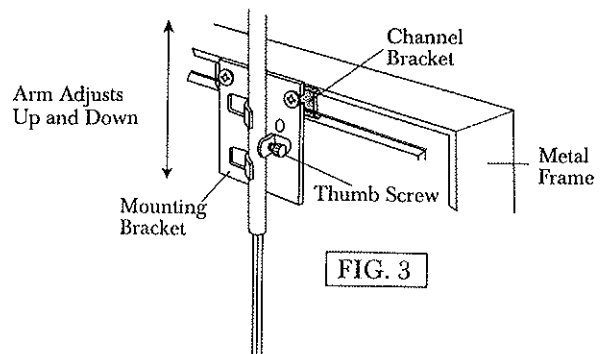
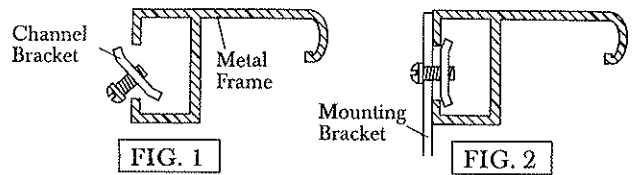
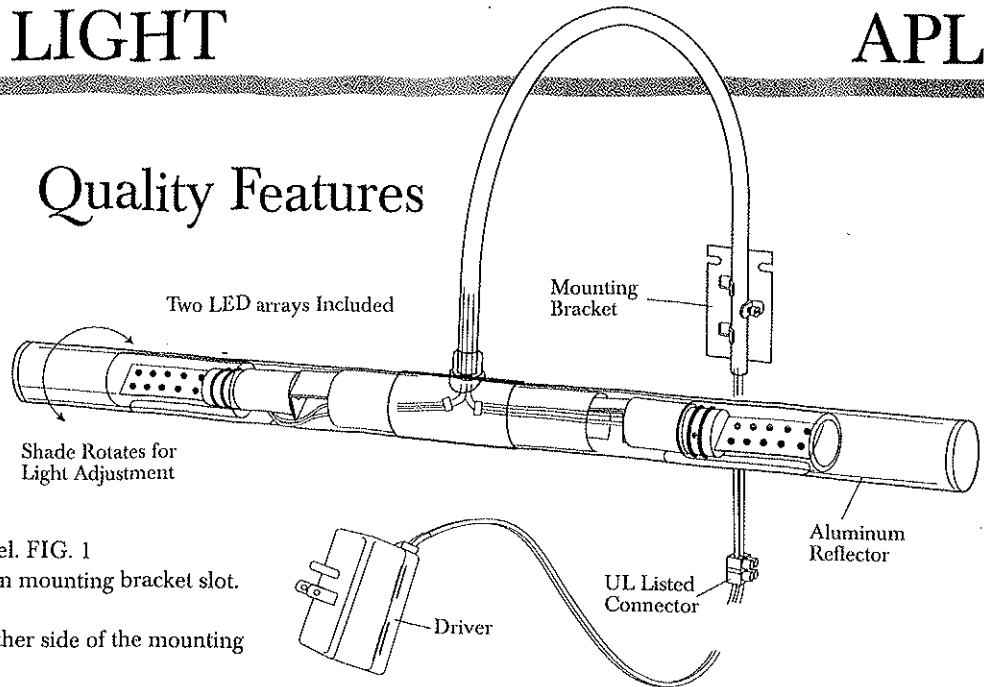
IV. LED REPLACEMENT

1. Unplug the Picture Light.
2. Hold picture light in the center with one hand, and slide the shade-tube off with the other hand. FIG. 4
3. Use allen wrench (provided) to unscrew set screw that holds glass shield in place.
4. Remove glass shield.
5. Remove burned out LED array.
6. Replace LED array.
7. Replace glass tube and set screw, slide shade tube back on.

V. LED SPECIFICATIONS

1. Input Voltage: 12VDC/VAC, Max 2.5W/0.2A (per array)
2. LED Color: warm white (3300K+/-200K)
3. Dimensions of array: 1.575" x 0.52"
4. Base: Bi-Pin

Quality Features



TO REDUCE THE RISK OF FIRE, ELECTRICAL SHOCK OR PERSONAL INJURY:

1. Turn off/unplug and allow to cool before replacing LED array.
2. DO NOT TOUCH HOT LED array shield or enclosure.
3. Do not look directly at lit LED array.
4. Keep lamp away from any materials that may burn.
5. Do not operate the lamp with a missing or damaged glass shield.

House of Troy 