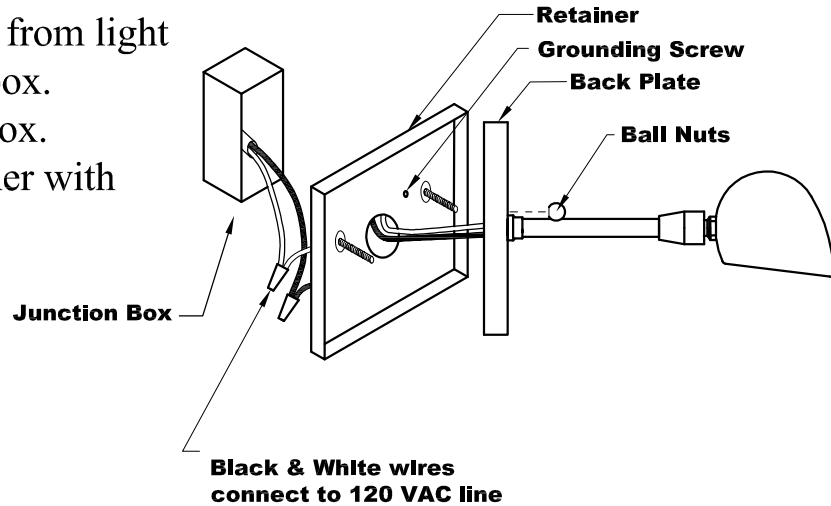


DCLEDZ, DGLEDZ, DTLEDZ MOUNTING INSTRUCTIONS



63964A - DCLEDZ, DTLEDZ, DGLEDZ - 01 Feb 18

1. Unscrew the two ball nuts and remove the Retainer from the Backplate.
2. Connect Black & White wires from light to 120 VAC line in junction box.
3. Attach Retainer to Junction Box.
4. Re-attach Backplate to Retainer with ball nuts



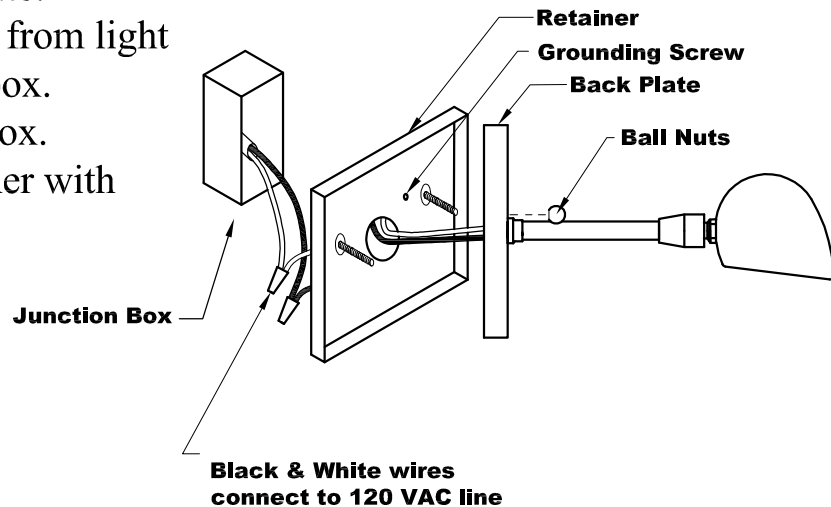
House of Troy - 902 Silver Ridge Rd. - Hyde Park, VT 05655 - 802 888 7984
houseoftroy.com

DCLEDZ, DGLEDZ, DTLEDZ MOUNTING INSTRUCTIONS



63964A - DCLEDZ, DTLEDZ, DGLEDZ - 01 Feb 18

1. Unscrew the two ball nuts and remove the Retainer from the Backplate.
2. Connect Black & White wires from light to 120 VAC line in junction box.
3. Attach Retainer to Junction Box.
4. Re-attach Backplate to Retainer with ball nuts



House of Troy - 902 Silver Ridge Rd. - Hyde Park, VT 05655 - 802 888 7984
houseoftroy.com