

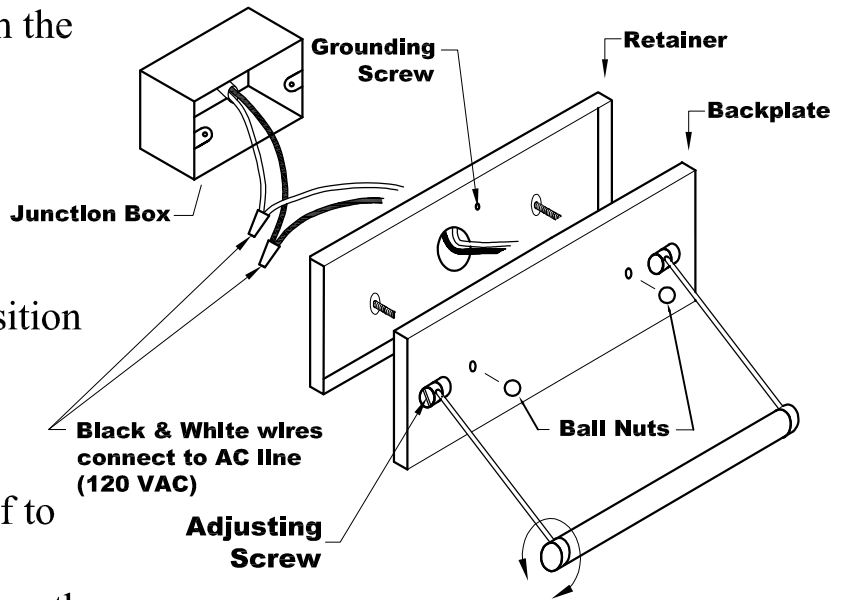
# DMLEDZ MOUNTING INSTRUCTIONS



63965B - DMLEDZ 18 July 2019

## -For use with 2"x4" horizontal mount junction box

1. Unscrew the two ball nuts and remove the Retainer from the Backplate.
2. Connect Black & White wires from the backplate to AC line (120 VAC).
3. Attach Retainer to Junction Box on wall.
4. Re-attach Backplate to Retainer with ball nuts.
5. Adjust the shade to the desired position by loosening the adjusting screws on the ends of the swivels and rotating the arms up or down. You can also rotate the shade itself to re-direct the light.



Be sure shades are cool before touching them.

## - For use with larger junction boxes use included cover plate and then follow steps 1-5

House of Troy - 902 Silver Ridge Rd. - Hyde Park, VT 05655 - 802 888 7984  
[houseoftroy.com](http://houseoftroy.com)