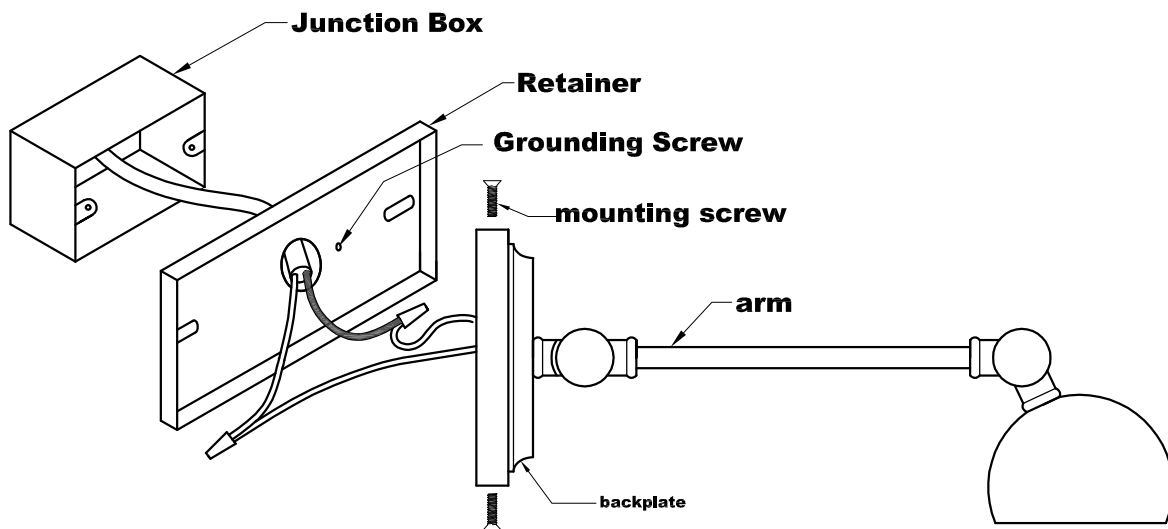


DOX16, DOX30, DOX42 MOUNTING INSTRUCTIONS

1. Remove the four mounting screws and remove the retainer from the back plate.
2. Route the wires from the junction box through the access hole and secure the retainer to the junction box.
3. Make all electrical connections noting that the wires coming from the arm must be connected as follows:
 - The smooth wire must be connected to the black junction box wire
 - The ribbed wire must be connected to the white junction box wire.If there is a ground wire in the junction box, it can be connected to the retainer with the green grounding screw supplied with the fixture.
4. Slide the backplate over the retainer carefully and insert the mounting screws.



LIGHT ADJUSTMENT

1. Adjust the shades to the desired position by rotating swivels. Be sure shades are cool before touching them.