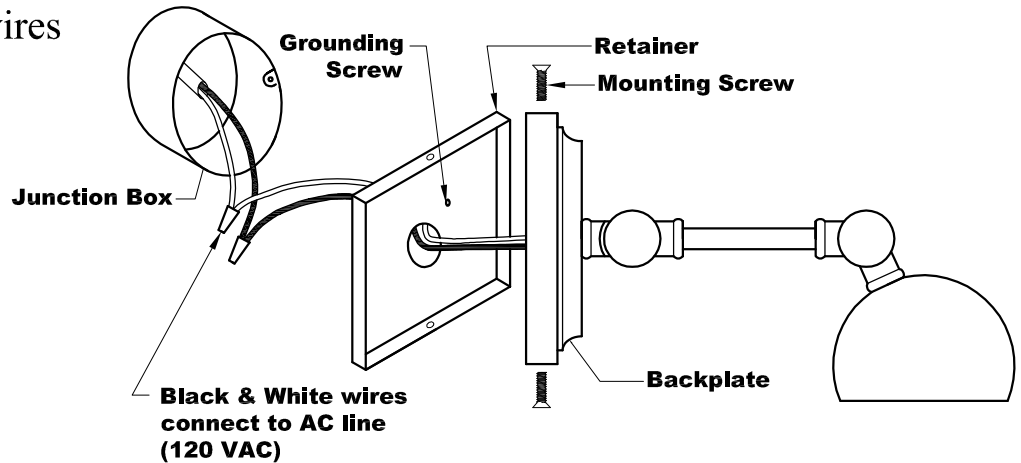


DOXLEDZ16, DOXLEDZ30, DOXLEDZ42 MOUNTING INSTRUCTIONS



63981A - DOXLEDZ 26 July 17

1. Remove the Mounting Screws and take the Backplate off of the Retainer.
2. Connect Black & White wires from Driver to AC line (120 VAC).
3. Attach Retainer to Junction Box.
4. Re-attach Backplate to Retainer with Mounting Screws.



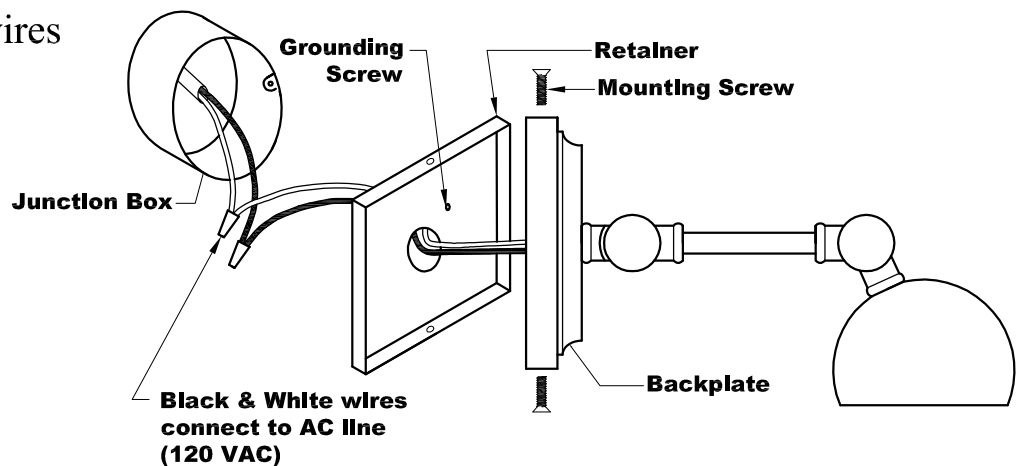
House of Troy - 902 Silver Ridge Rd. - Hyde Park, VT 05655 - 802 888 7984
houseoftroy.com

DOXLEDZ16, DOXLEDZ30, DOXLEDZ42 MOUNTING INSTRUCTIONS



63981A - DOXLEDZ 26 July 17

1. Remove the Mounting Screws and take the Backplate off of the Retainer.
2. Connect Black & White wires from Driver to AC line (120 VAC).
3. Attach Retainer to Junction Box.
4. Re-attach Backplate to Retainer with Mounting Screws.



House of Troy - 902 Silver Ridge Rd. - Hyde Park, VT 05655 - 802 888 7984
houseoftroy.com