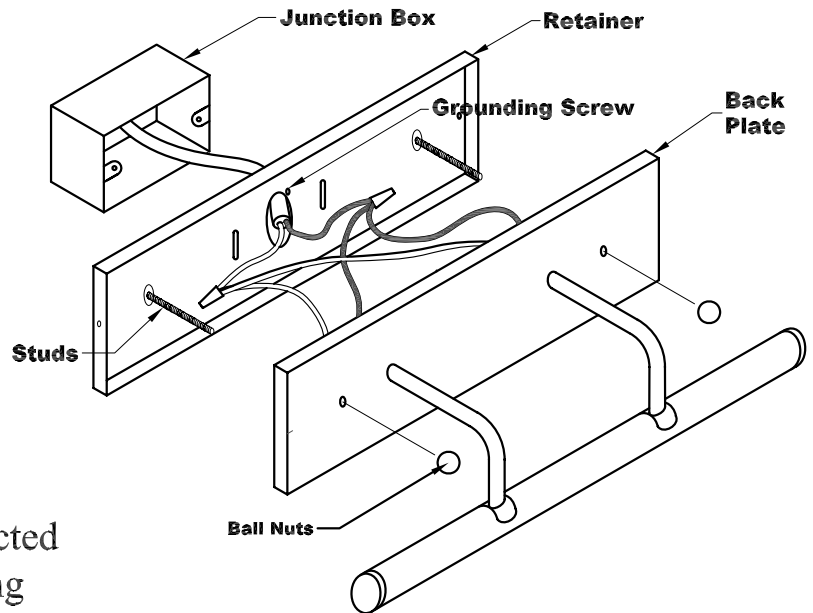


# DSL36 MOUNTING INSTRUCTIONS

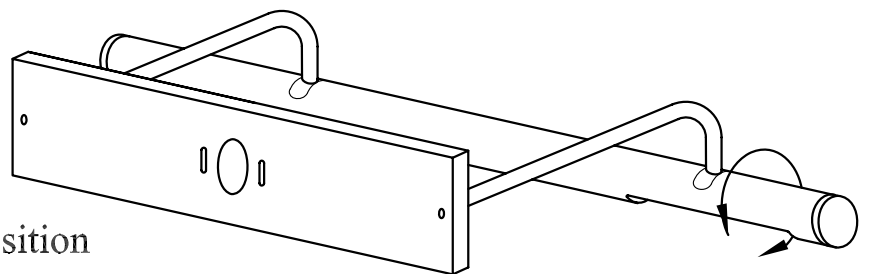


1. Remove the two ball nuts and remove the retainer from the back plate.
2. Route the wires from the junction box through the access hole and secure the retainer to the junction box.
3. Make all electrical connections noting that the black or smooth fixture wires must be connected to the black outlet box wire, and the white or ribbed fixture wires must be connected to the white outlet box wire. If there is a ground wire in the outlet box, it can be connected to the retainer with the green grounding screw supplied with the fixture.
4. Slide the back plate over the retainer carefully and tighten the ball nuts onto the studs.



## LIGHT ADJUSTMENT

1. Adjust the shades to the desired position by rotating them. Be sure shades are cool before touching them.



## BULB REPLACEMENT

1. Unplug the light fixture.
2. Tilt the socket down with a fingernail.
3. Replace bulb.

