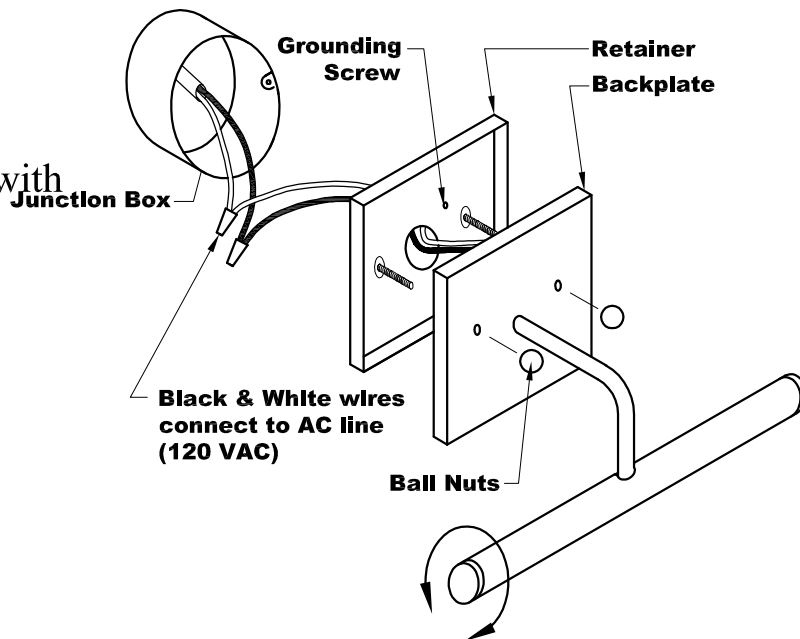


DSLEDZ MOUNTING INSTRUCTIONS

1. Unscrew the two ball nuts and remove the Retainer from the Backplate.
2. Connect Black & White wires from the backplate to AC line (120 VAC).
3. Attach Retainer to Junction Box on wall.
4. Re-attach Backplate to Retainer with ball nuts.
5. Adjust the shade to the desired position by rotating it. Be sure shades are cool before touching them.

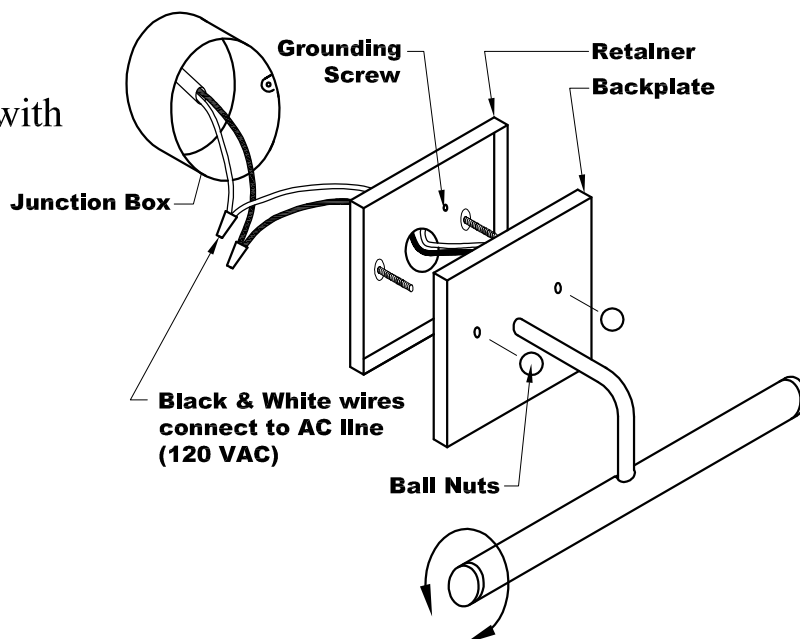


63965A - DSLEDZ 29 Aug 2018

House of Troy - 902 Silver Ridge Rd. - Hyde Park, VT 05655 - 802 888 7984
houseoftroy.com

DSLEDZ MOUNTING INSTRUCTIONS

1. Unscrew the two ball nuts and remove the Retainer from the Backplate.
2. Connect Black & White wires from the backplate to AC line (120 VAC).
3. Attach Retainer to Junction Box on wall.
4. Re-attach Backplate to Retainer with ball nuts.
5. Adjust the shade to the desired position by rotating it. Be sure shades are cool before touching them.



63965A - DSLEDZ 129 Aug 2018

House of Troy - 902 Silver Ridge Rd. - Hyde Park, VT 05655 - 802 888 7984
houseoftroy.com