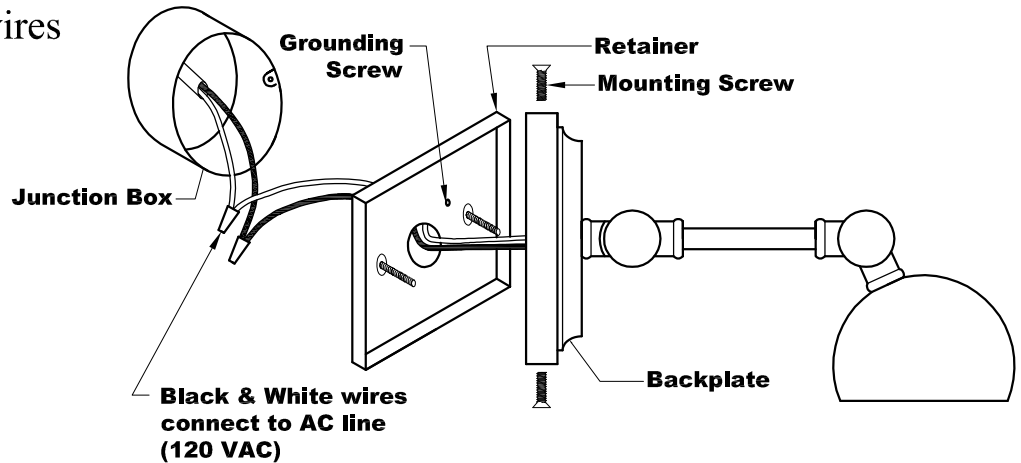


DSTLEDZ16, DSTLEDZ30, DSTLEDZ42 MOUNTING INSTRUCTIONS



DSTLEDZ 10 Feb 17

1. Remove the Mounting Screws and take the Backplate off of the Retainer.
2. Connect Black & White wires from Driver to AC line (120 VAC).
3. Attach Retainer to Junction Box.
4. Re-attach Backplate to Retainer with Mounting Screws.



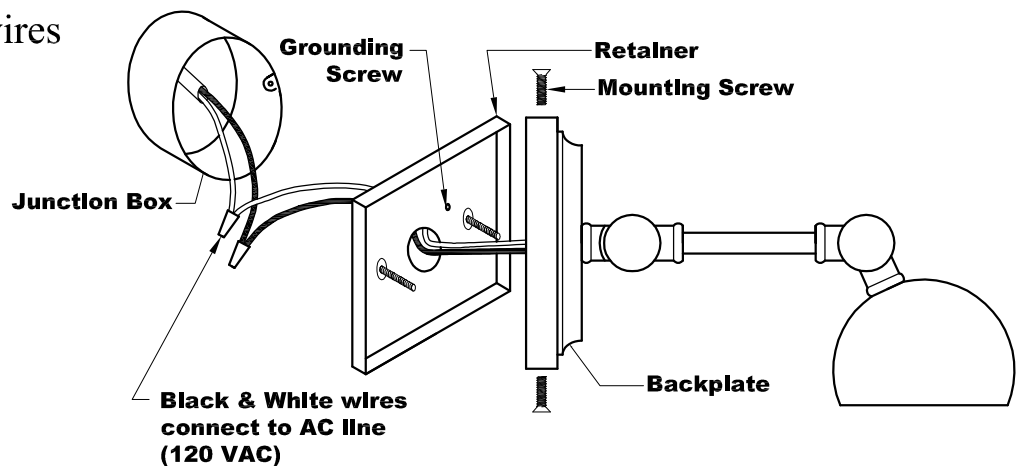
House of Troy - 902 Silver Ridge Rd. - Hyde Park, VT 05655 - 802 888 7984
houseoftroy.com

DSTLEDZ16, DSTLEDZ30, DSTLEDZ42 MOUNTING INSTRUCTIONS



DSTLEDZ 10 Feb 17

1. Remove the Mounting Screws and take the Backplate off of the Retainer.
2. Connect Black & White wires from Driver to AC line (120 VAC).
3. Attach Retainer to Junction Box.
4. Re-attach Backplate to Retainer with Mounting Screws.



House of Troy - 902 Silver Ridge Rd. - Hyde Park, VT 05655 - 802 888 7984
houseoftroy.com