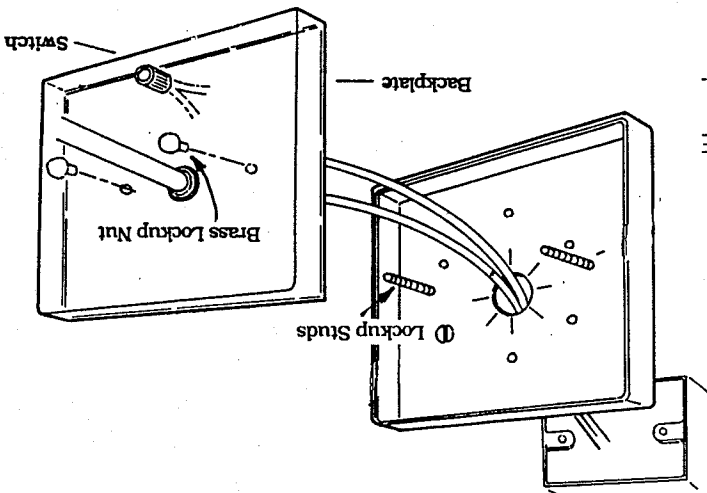
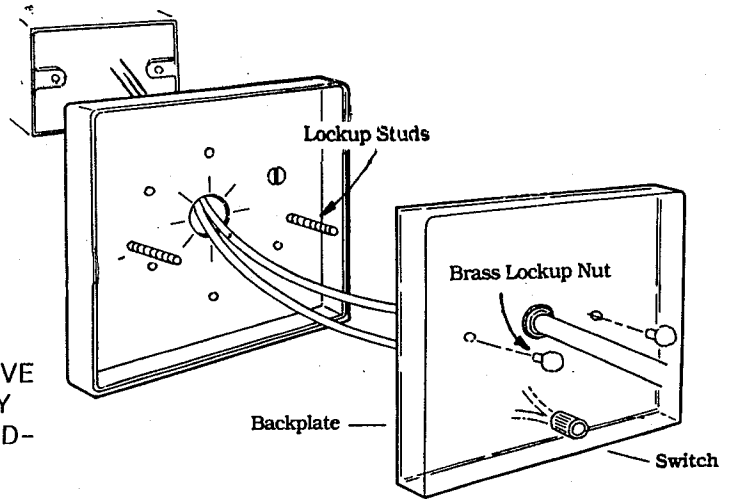


DIRECT WIRE INSTRUCTIONS

1. ROUTE THE OUTLET BOX WIRE THROUGH THE RETAINER ACCESS HOLE AND SECURE THE RETAINER TO THE WALL.
2. MAKE ALL ELECTRICAL CONNECTIONS, NOTING THAT THE BLACK OR SMOOTH FIXTURE WIRE(S) MUST BE CONNECTED TO THE BLACK OUTLET BOX WIRE, AND THE WHITE, MARKED OR RIBBED WIRE(S) TO THE WHITE OUTLET BOX WIRE.
3. SLIDE BACKPLATE OVER RETAINER CAREFULLY AND LOCKUP WITH BRASS DECORATIVE NUTS. IF STUDS DO NOT LINE UP PRECISELY WITH HOLES IN BACKPLATE, MAKE MINOR ADJUSTMENTS TO THE ANGLE OF THE STUD WITH PLIERS.



1. ROUTE THE OUTLET BOX WIRE THROUGH THE RETAINER ACCESS HOLE AND SECURE THE RETAINER TO THE WALL.
2. MAKE ALL ELECTRICAL CONNECTIONS, NOTING THAT THE BLACK OR SMOOTH FIXTURE WIRE(S) MUST BE CONNECTED TO THE BLACK OUTLET BOX WIRE, AND THE WHITE, MARKED OR RIBBED WIRE(S) TO THE WHITE OUTLET BOX WIRE.
3. SLIDE BACKPLATE OVER RETAINER CAREFULLY AND LOCKUP WITH BRASS DECORATIVE NUTS. IF STUDS DO NOT LINE UP PRECISELY WITH HOLES IN BACKPLATE, MAKE MINOR ADJUSTMENTS TO THE ANGLE OF THE STUD WITH PLIERS.

DIRECT WIRE INSTRUCTIONS