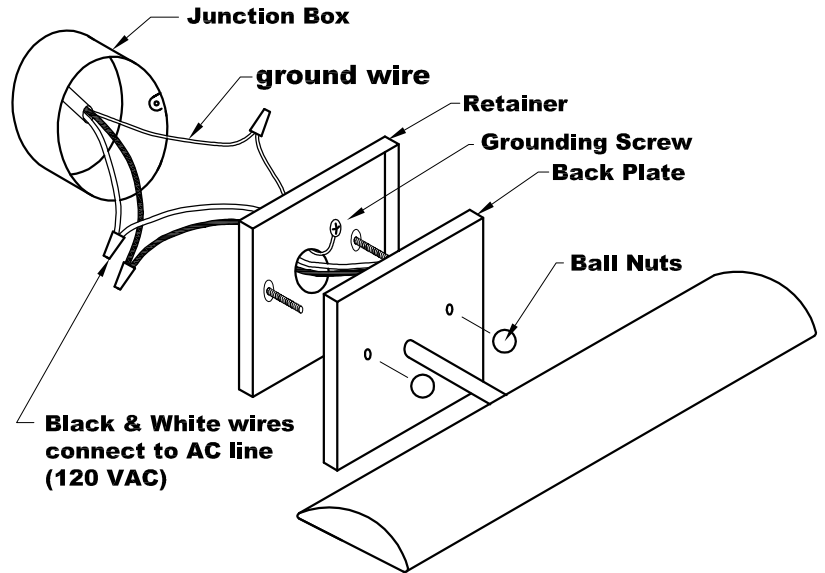


DZLEDZ12, DZLEDZ24, DZLEDZ36 MOUNTING INSTRUCTIONS



63977B - DZLEDZ 22 Sept 2016

1. Unscrew the two ball nuts and remove the Retainer from the Backplate.
2. Connect Black & White wires from the lamp to AC line (120 VAC).
3. Screw the green grounding jumper to the Retainer using the green screw provided. Connect this jumper to the ground wire in the junction box.
3. Attach Retainer to Junction Box.
4. Re-attach Backplate to Retainer with ball nuts



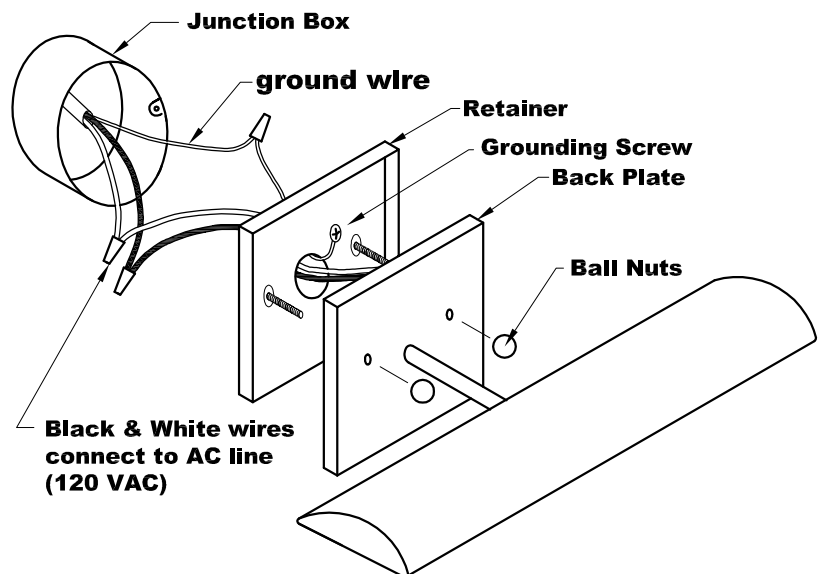
House of Troy - 902 Silver Ridge Rd. - Hyde Park, VT 05655 - 802 888 7984
houseoftroy.com

DZLEDZ12, DZLEDZ24, DZLEDZ36 MOUNTING INSTRUCTIONS



63977B - DZLEDZ 22 Sept 2016

1. Unscrew the two ball nuts and remove the Retainer from the Backplate.
2. Connect Black & White wires from the lamp to AC line (120 VAC).
3. Screw the green grounding jumper to the Retainer using the green screw provided. Connect this jumper to the ground wire in the junction box.
3. Attach Retainer to Junction Box.
4. Re-attach Backplate to Retainer with ball nuts



House of Troy - 902 Silver Ridge Rd. - Hyde Park, VT 05655 - 802 888 7984
houseoftroy.com