

# XL14, XL24 and XL36 MOUNTING INSTRUCTIONS



## **INSTALLATION OF MOUNTING BRACKETS**

### Wood Frames

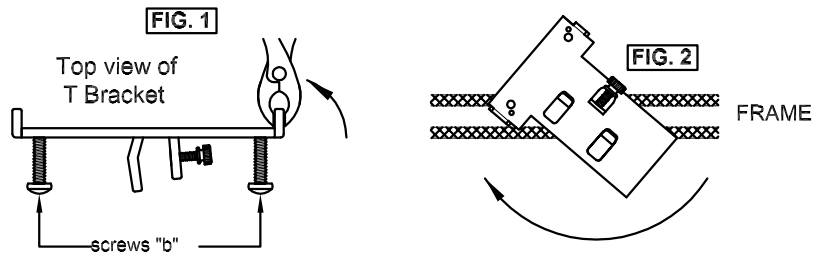
Install using screws provided.

### Wall Mounting

Install using screws and anchors provided.

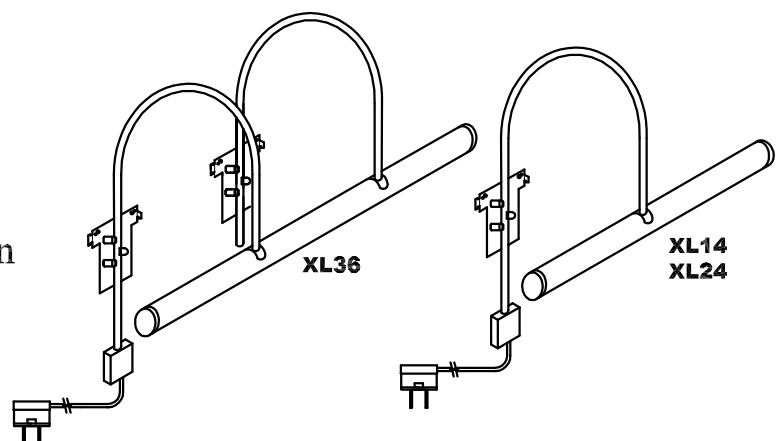
### Metal Frames

1. Using pliers, fold back the side tabs on the T Brackets (Fig 1).
2. Start screws "b" into the smaller holes in the T Brackets.
3. Insert the larger side tab of the T Bracket into the frame channel at angle, then rotate it in line with the edge of the frame (Fig 2).
4. Insert the smaller side tab into the frame channel and tighten screws "b" snugly
5. Install the two plastic "bumpers" on the two bottom corners of the frame. This will protect the wall from scratching and allow the frame to be offset from the wall enough for the junction box on the end of one of the arms.



## **LIGHT ADJUSTMENT**

Adjust the shade to the desired position by rotating it. Be sure shade is cool before touching.



## **BULB REPLACEMENT**

1. Unplug the light fixture.
2. Tilt the socket down with a fingernail.
3. Replace bulb.

